

## 7.0.1 Brake System



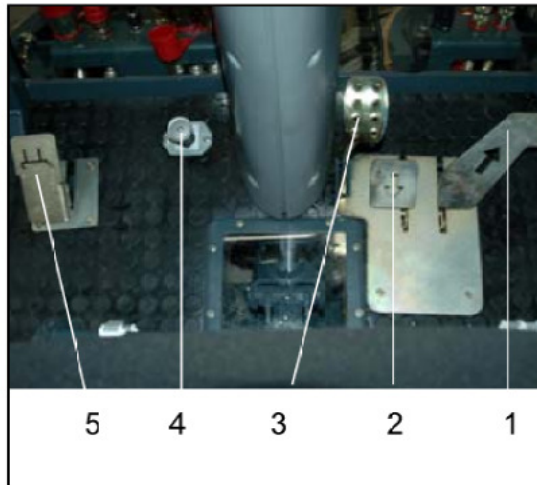
<b>Inhalt/ Contents</b>	<b>Seite/ Page</b>
<b>Service brake (foot brake) components in the cab</b>	<b>3</b>
<b>Parking brake (hand brake) components in the cab</b>	<b>4</b>
<b>Service brake (foot brake) components on the front axle</b>	<b>5</b>
<b>Brake drum components on the front axle</b>	<b>6</b>
<b>Parking brake (hand brake) components on the rear axle</b>	<b>7</b>
<b>Parking brake (hand brake) components on the rear axle, brake drum left</b>	<b>8</b>
<b>Parking brake (hand brake) components on the rear axle, brake drum right</b>	<b>9</b>
<b>Notes</b>	<b>10</b>

## 7.0.1 Brake System



## 7.0.1 Brake System

**Pedals**



**Fig. 10 Pedals**

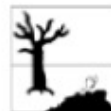
- 1 Pedal, forward ride
- 2 Pedal, reverse ride
- 3 Brake pedal
- 4 Differential lock (option)
- 5 Coarse particle flap

### **Brake System**

The operator has to check the brake system for efficiency daily before start of ride.



**Qualified workshops only are authorized to perform repair work at the brake system.**



**Collect spilled brake fluid and provide for disposal with regard to environmental protection.**

### **6.15.1 Refill Brake Fluid**

Check fluid level at daily intervals. The brake fluid tank (Fig. 47/1) of the brake system is located underneath the driver's seat.

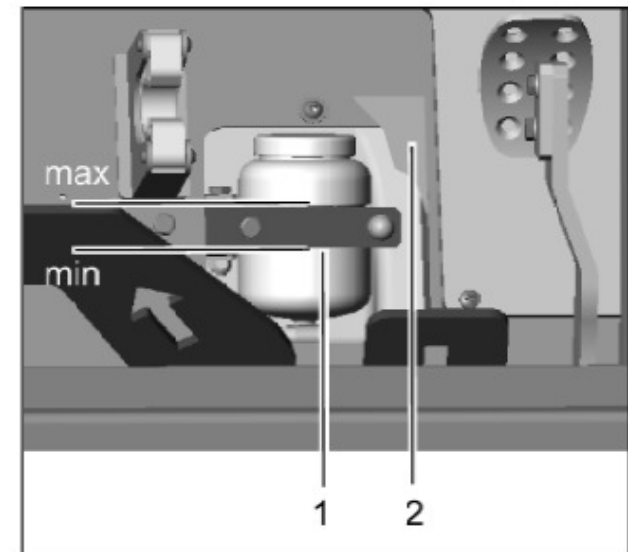


**Provide for cleanliness! Soiled brake fluid may cause failure of the brake system.**



**Very low brake fluid level may indicate worn brake linings!**

1. Remove plate (Fig. 47/2) under the driver's seat.
2. Unscrew cap of the brake fluid tank and check filling level.
3. Fill original brake fluid up to the maximum marking.
4. Screw cap tightly.



**Fig. 47 Brake fluid tank**

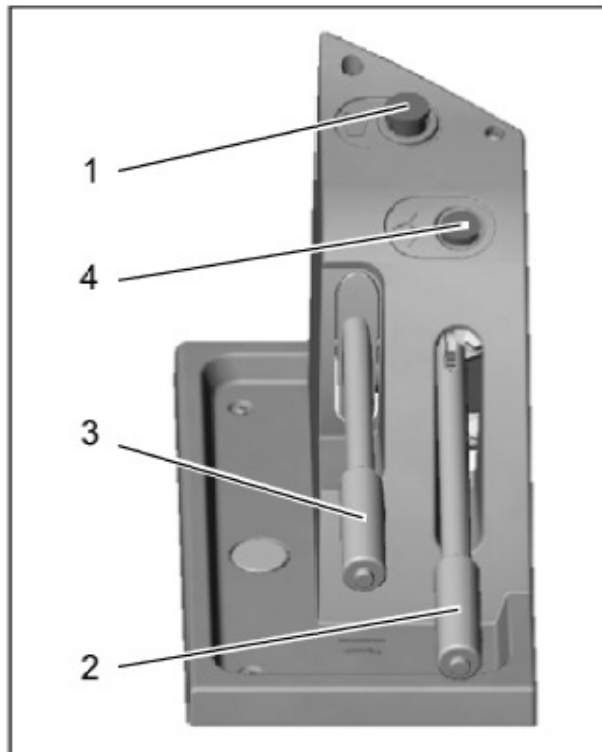
- 1 Brake fluid tank
- 2 Plate

## 7.0.1 Brake System

### Parking Brake

#### L-h Operation Console

#### 2. Parking brake



#### **2 Parking brake lever**

Is used to actuate the parking brake.  
The lever catches after lifting up.

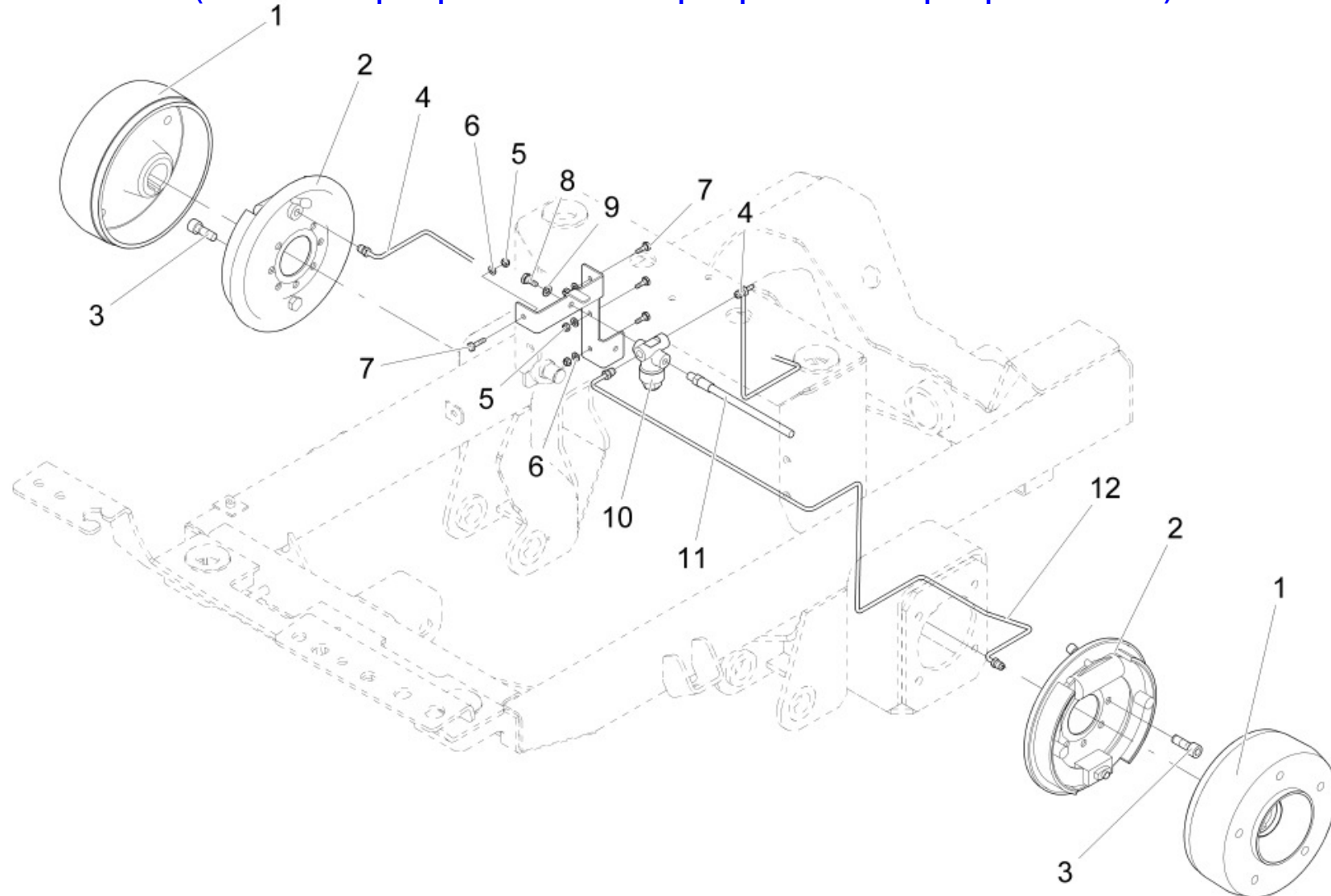
### 7.0.1 Brake System

81-60-1993 aktueller Stand

Bremse Vorderachse (97081848-3) ->

#### Brake, front axle

(Extract from spare parts list. Refer to spare parts lists for spare parts numbers)

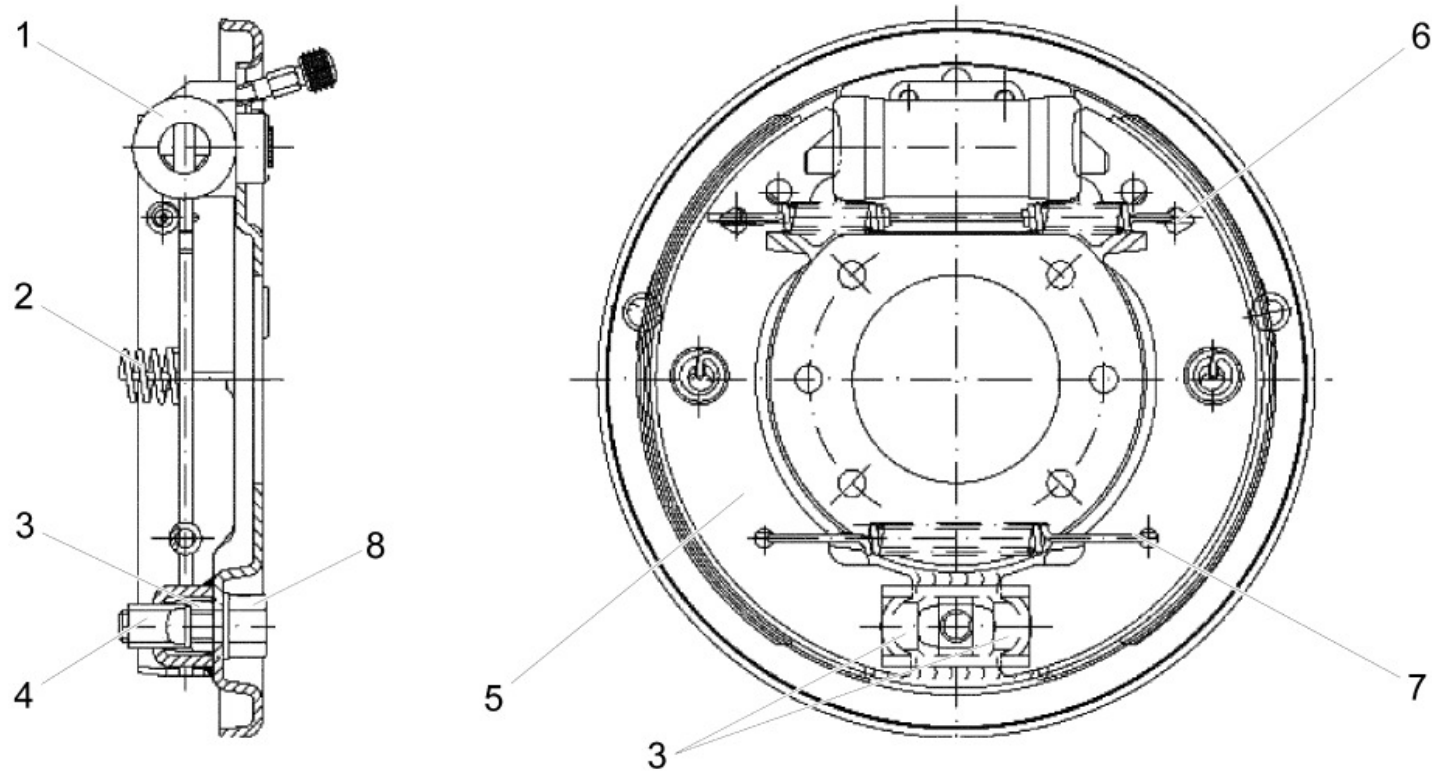


### 7.0.1 Brake System

#### Brake drum, front axle

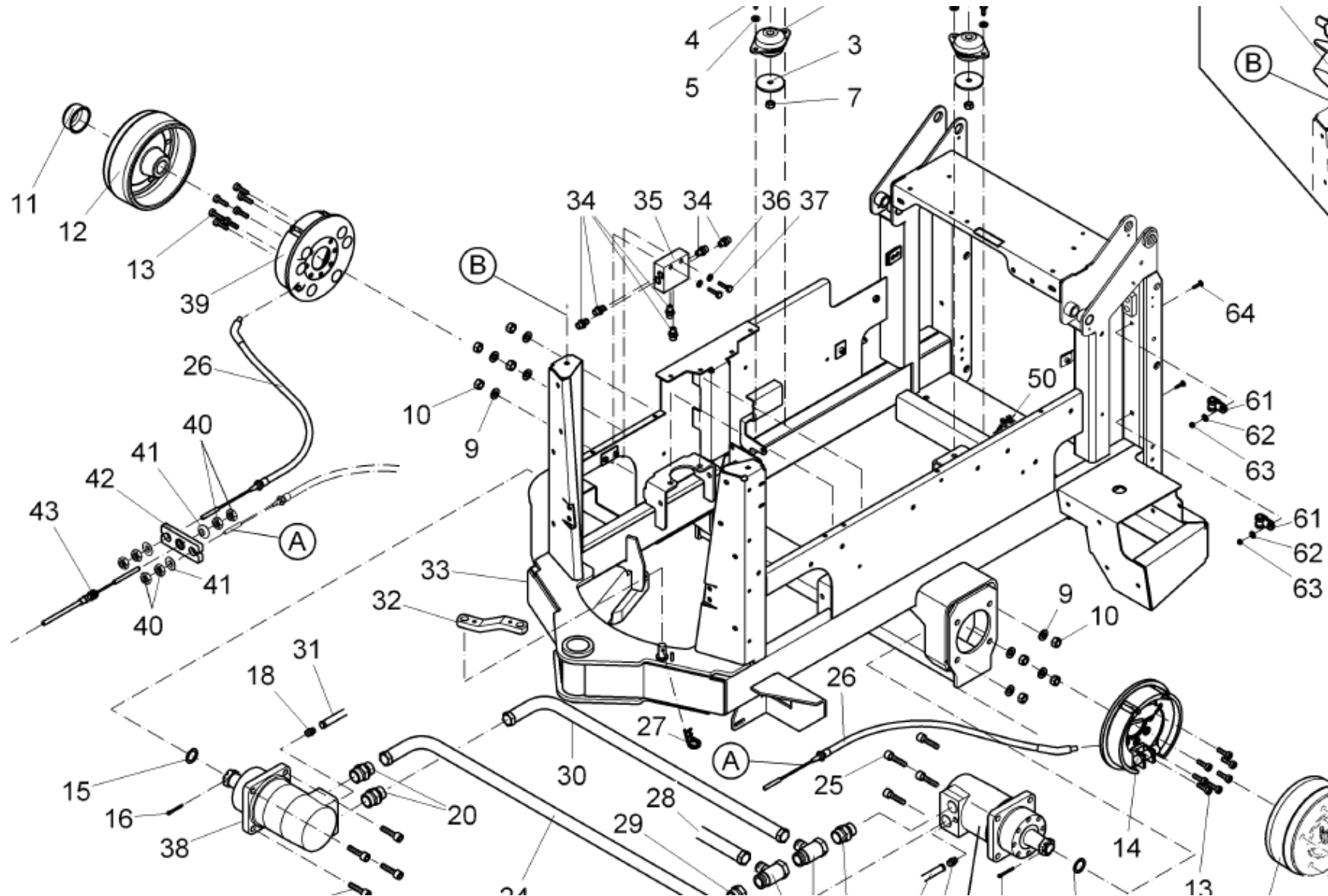
Bremse (01165500) -> (Extract from spare parts list. Refer to spare parts lists for spare parts numbers)

81-60-1993 aktueller Stand



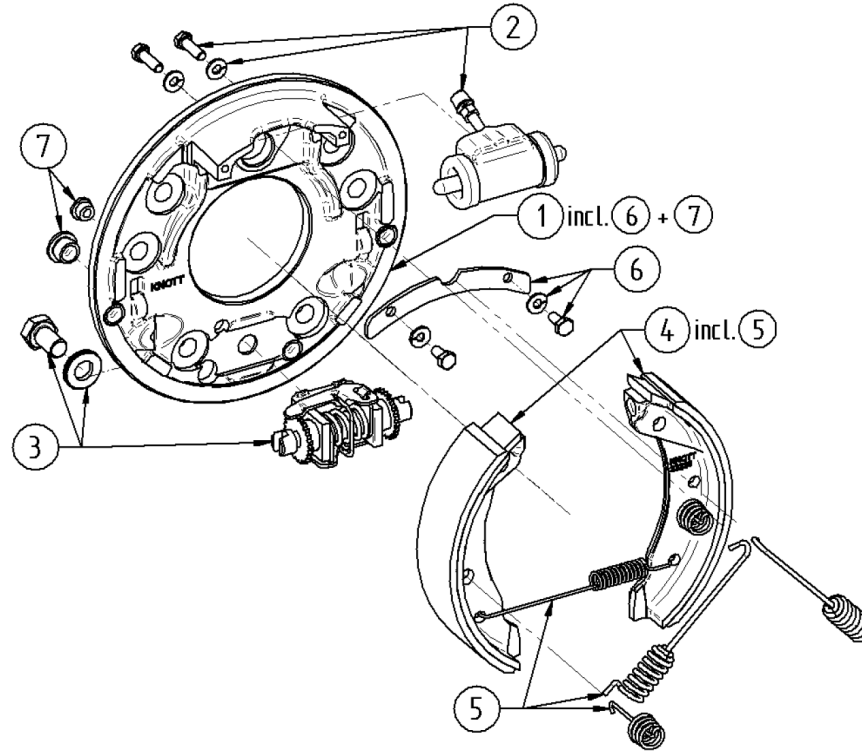
### 7.0.1 Brake System

#### Hand brake rear axle



## 7.0.1 Brake System

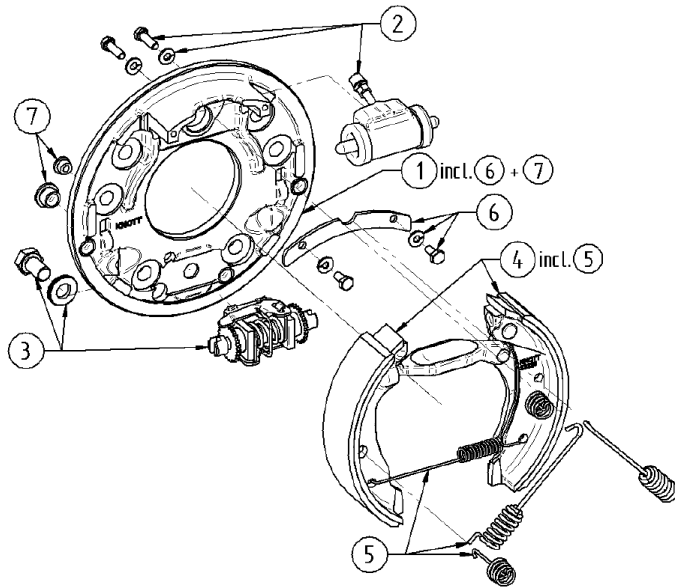
CM 1250 Knott Bremse für Bosch- Rexroth Radmotor Vorderachse links und rechts  
 CM 1250 Knott brake for Bosch Rexroth wheel motor front axle L-H and R-H side



Bremsen Nr. / Brake Art.-No.	Pos.-Nr. / Pos.-No.	Anzahl / Quantity	Artikel-Nr. / Art.-No.	Bezeichnung / Description
520141				<i>Hydr. Servo Bremse / Hydro Servo brake</i>
	1	1	26451.03	Bremstraeger kpl. / Backplate cpl.
	2	1	103233.027	Radzylindersatz / Wheel cylinder kit
	3	1	103234.030	Autom. Nachstellung-Satz / Auto. adjuster kit
	4	1	103231.115	Bremsbackensatz / Brake shoe kit
	5	1	103232.044	Federnsatz / Spring set
	6	1	104585.007	Niederhaltersatz / Retaining clamp kit
	7	1	104586.005	Verschlussatz / Cover set



## 7.0.1 Brake System



**CM 1250 Knott Bremse 104115.01 für Bosch- Rexroth Radmotor Hinterachse links**  
**CM 1250 Knott brake 104115.05 for Bosch- Rexroth wheel motor rear axle L-H side**

Bremsen Nr. / Brake Art.-No.	Pos.-Nr. / Pos.-No.	Anzahl / Quantity	Artikel-Nr. / Art.-No.	Bezeichnung / Description
<i>104115.01</i>				
	1	1	26451.01	Bremstraeger kpl. / Backplate cpl.
	2	1	103233.027	Radzylindersatz / Wheel cylinder kit
	3	1	103234.030	Autom. Nachstellung-Satz / Auto. adjuster kit
	4	1	103231.110	Bremsbackensatz / Brake shoe kit
	5	1	103232.044	Federsatz / Spring set
	6	1	104585.007	Niederhaltersatz / Retaining clamp kit
	7	1	104586.005	Verschlussatz / Cover set

<i>104115.02</i>				
	1	1	26451.02	Bremstraeger kpl. / Backplate cpl.
	2	1	103233.027	Radzylindersatz / Wheel cylinder kit
	3	1	103234.030	Autom. Nachstellung-Satz / Auto. adjuster kit
	4	1	103231.111	Bremsbackensatz / Brake shoe kit
	5	1	103232.044	Federsatz / Spring set
	6	1	104585.007	Niederhaltersatz / Retaining clamp kit
	7	1	104586.005	Verschlussatz / Cover set

**CM 1250 Knott Bremse 104115.02 für Bosch- Rexroth Radmotor Hinterachse rechts**  
**CM 1250 Knott brake 104115.02 for Besch- Rexroth wheel motor rear axle R- H side**

## 7.0.1 Brake System

